

INSIGNIA™

USER GUIDE

Top Load Washer

NS-TWM45W1



Before using your new product, please read these instructions to prevent any damage.

Contents

Introduction	3
IMPORTANT SAFETY INSTRUCTIONS	3
Features	10
Package contents	10
Main components.....	11
Control panel	13
Unpacking your washer	15
Choosing a location	15
Washer dimensions and installation measurements	16
Electrical requirements.....	19
Water requirements	20
Drainage requirements.....	20
Installing your washer	20
Tools you need.....	20
Step 1: Select a location	20
Step 2: Connect the water hoses.....	21
Step 3: Connect the drain hose	25
Step 4: Level your washer.....	29
Step 5: Power your washer.....	31
Step 6: Run a test cycle	31
Step 7: Protect the power cord.....	31
Washing a load of laundry	32
Step 1: Selecting a detergent	32
Step 2: Turn on your washer	32
Step 3: Load your washer	32
Step 4: Add detergent and additives to the compartments	33
Step 5: Select the appropriate cycle and options for the load	34
Step 6: (Optional) Set a delayed start time.....	34
Step 7: Start your washer	35
Step 8: Unload your laundry	36
Setting the child lock	36
Washer options and settings.....	37
Maintaining your washer	39
Cleaning the exterior.....	39
Cleaning the interior	39
Cleaning the control panel	39
Cleaning the detergent, bleach, or softener compartment.....	39
Cleaning the tub	39
Storing your washer.....	40
Troubleshooting	40
Understanding the error codes	43

Specifications	44
ONE-YEAR LIMITED WARRANTY	45

Introduction



Congratulations on your purchase of a high-quality Insignia product. Your NS-TWM45W1 represents the state of the art in top-load washing machine technology and is designed for reliable and trouble-free performance.

IMPORTANT SAFETY INSTRUCTIONS

SAVE THESE INSTRUCTIONS

This *User Guide* contains important information on the installation, use, and care of your appliance. Please read this guide carefully before installation and operation of this machine to prevent injury and property damage.

The Warnings and Important Safety Instructions in this guide do not cover all possible conditions and situations that may occur. It is your responsibility to use common sense, caution, and care when installing, maintaining, and operating your washer.

	<p>CAUTION</p> <p>RISK OF ELECTRIC SHOCK</p> <p>DO NOT OPEN</p>	
---	--	---



WARNING: This indicates that hazards or unsafe practices may cause **serious personal injury or death**. To reduce the risk of fire, explosion, electric shock, or personal injury when using your washing machine, follow these basic safety precautions.



CAUTION: This indicates that hazards or unsafe practices may cause minor personal injury or property damage.



This symbol indicates that there are important operating and maintenance instructions in the literature accompanying your washing machine.



State of California Proposition 65

Warnings WARNING:

Cancer and Reproductive Harm—www.P65Warnings.ca.gov.



WARNING:

Do not store or use gasoline or other flammable vapors and liquids in the vicinity of this or any other appliance.

Basic precautions



WARNING

- 1 Read all instructions before using the appliance.
- 2 Use this appliance only for its intended purpose as described in this *User Guide*.
- 3 Before use, the washer must be properly installed as described in this guide.
- 4 Always follow the fabric care instructions supplied by the garment manufacturer.
- 5 Do not wash or dry articles that have been previously cleaned in, washed in, soaked in, or spotted with gasoline, dry-cleaning solvents, or other flammable or explosive substances as they give off vapors that could ignite or explode.
- 6 Do not allow children to play on or in the appliance. Close supervision of children is necessary when the appliance is used near children.
- 7 Before the appliance is removed from service or discarded, remove the lid of the washing compartment.
- 8 Do not reach into the appliance if the tub is moving.
- 9 Do not install or store this appliance where it will be exposed to the weather or freezing temperatures.
- 10 Do not tamper with the controls.
- 11 Do not repair or replace any part of the appliance or attempt any servicing unless it is specifically recommended in the user-maintenance instructions or in published user-repair instructions that you understand.
- 12 Under certain conditions, hydrogen gas may be produced in a hot-water system that has not been used for two weeks or more. HYDROGEN GAS IS EXPLOSIVE. If the hot-water system has not been used for such a period, before using a washing machine, turn on all hot-water faucets and let the water flow from each for several minutes. This will release any accumulated hydrogen gas. As the gas is flammable, do not smoke or use an open flame during this time.
- 13 Keep the area underneath and around your appliance free of combustible materials (lint, paper, rags, and so on), gasoline, chemicals, and other flammable vapors and liquids.

- 14 Do not place items exposed to cooking oil in your washer. Items contaminated with cooking oil may contribute to a chemical reaction that could cause a load to catch fire.
- 15 This washer is not designed for maritime use or for mobile installations such as in RVs, aircraft, and other mobile platforms.
- 16 Turn off the water faucets and unplug the washer if the machine is to be left for an extended period of time, such as during vacations.
- 17 Packaging material can be dangerous for children. There is a risk of suffocation! Keep all packaging away from children.
- 18 Always check the inside of the washer for foreign objects before loading laundry. Keep the lid closed when not in use.
- 19 Do not add gasoline, dry-cleaning solvents, or other flammable or explosive substances to the wash water. These substances give off vapors that could ignite or explode.



WARNING

Installation warnings and precautions

- 1 Plug the power cord into an AC 120 V/60 Hz wall socket rated at 15 amps or higher. Use the socket for this washer only. Do not use an extension cord.
 - Sharing a wall socket with another appliance, using a power strip, or extending the power cord may result in electric shock or fire.
 - Do not use an electric transformer. It may result in electric shock or fire.
 - Make sure that the power voltage, frequency, and current match the product's specifications. Failing to do so may result in electric shock or fire.
- 2 Remove all foreign substances such as dust or water from the power plug terminals and contact points using a dry cloth on a regular basis.
 - Unplug the power plug and clean it with a dry cloth.
 - Failing to do so may result in electric shock or fire.
- 3 Plug the power plug into the wall socket in the right direction so that the cord runs towards the floor.
 - If you plug the power plug into the socket in the opposite direction, the electric wires within the cable may be damaged and this may result in electric shock or fire.
- 4 Plug the power plug into the wall socket firmly. Do not use a damaged power plug, or loose wall socket, because this may result in electric shock or fire.
- 5 Do not pull or excessively bend the power cord. Do not twist or tie the power cord.
- 6 Do not hook the power cord over a metal object, place a heavy object on the power cord, insert the power cord between objects, or push the power cord into the space behind the appliance, because this may result in electric shock or fire.
- 7 Do not pull the power cord when unplugging the power plug.
 - Unplug the power plug by holding the plug.
 - Failing to do so may result in electric shock or fire.
- 8 If the power plug or power cord are damaged, contact your nearest service center.

- 9 Do not install on carpet. Install the washer on a level and solid floor that can support its weight. Failure to do so may result in abnormal vibrations, noise, or problems with the product.
- 10 The washer is heavy. Two or more people may be needed to install and move the appliance. Failure to do so may result in bodily or other injuries.
- 11 Store and install the washer where it will not be exposed to temperatures below freezing or exposed to outdoor weather conditions. Failure to do so may result in serious leak damage.
- 12 Position the appliance so that the power plug is easily accessible. Failure to do so may result in electric shock or fire due to an electrical short circuit.
- 13 Failure to closely follow these instructions may result in an abnormal vibrating and out-of-balance condition that could result in physical injury, property damage, and/or appliance damage.



WARNING

Use and maintenance warnings and precautions

- 1 If the appliance is flooded, cut the power immediately and contact your nearest service center.
- 2 If the appliance emits a strange noise, a burning smell, or smoke, unplug the power plug immediately and contact your nearest service center. Failure to do so may result in electric shock or fire.
- 3 In the event of a gas leak (such as propane or LP gas), ventilate the area immediately. Do not turn any appliance or light on or off.
 - Do not use a ventilating fan.
 - A spark may result in an explosion or fire.
- 4 Do not force the washer lid open while the washer is operating (high-temperature washing, drying, or spinning).
 - Water flowing out of the washer may cause burns or cause the floor to be slippery. This may result in injury.
 - Forcing the lid open can damage the product or cause injury.
- 5 Make sure to remove the packaging (sponge, styrofoam) attached to the bottom of the washer before using it.
- 6 Do not insert your hand or a metal object under the washer. This may result in injury.
- 7 Do not attempt to operate this appliance if it is damaged, malfunctioning, partially disassembled, or has missing or broken parts, including a damaged cord or plug. This may result in electric shock, fire, or death.
- 8 Do not touch the power plug with wet hands. This may result in electric shock.
- 9 Do not turn the appliance off by unplugging the power plug while the washer is in operation. Plugging the power plug into the wall socket again may cause a spark and result in electric shock or fire.
- 10 Keep all packaging material well out of the reach of children, as packaging materials can be dangerous to children. If a child places a bag over his or her head, he or she may suffocate.

- 11 Do not let children or infirm persons use this washer unsupervised. Failure to do so may result in electric shock, burns, or injury.
- 12 Do not attempt to repair, disassemble, or modify the appliance yourself.
 - Do not use any fuse (such as copper, steel wire, etc.) other than the standard fuse.
 - If you need to repair or reinstall the appliance, contact your nearest service center.
 - Failure to do so may result in electric shock, fire, problems with the product, or injury.
- 13 If any foreign substance such as water enters the appliance in any area other than the tub, unplug the power plug and contact your nearest service center. Failure to do so may result in electric shock or fire.
- 14 If the water supply hose comes loose from the faucet and floods the appliance, unplug the power plug. Failure to do so may result in electric shock or fire.
- 15 Do not mix chlorine bleach with ammonia or acids such as vinegar. Incorrect usage can produce poisonous gas, resulting in serious injury.
- 16 Do not reach into the washer while parts are moving. Before loading, unloading, or adding items, press the ►|| **START/PAUSE** button and allow the tub to come to a complete stop before reaching inside. Failure to do so may result in electric shock, injury, or fire.
- 17 Do not allow children to play on or in the washer. Close supervision of children is necessary when the washer is used near children. As children grow, teach them the proper, safe use of all appliances. Failure to do so may result in serious injury.
- 18 Keep laundry products out of reach of children. Observe all warnings on product labels and follow them. Failure to do so may result in serious injury.
- 19 Disconnect this appliance from the power supply before attempting any user maintenance. Pressing the ⏻ **Power** button does not disconnect this appliance from the power supply. Failure to do so may result in electric shock, injury, or fire.
- 20 Do not clean the appliance by spraying water directly onto it.
- 21 Do not use benzene, thinner, or alcohol to clean the appliance. This may result in discoloration, deformation, damage, electric shock, or fire.
- 22 Unplug the power plug when the appliance is not being used for long periods of time or during a thunder/lightning storm. Failure to do so may result in electric shock or fire.
- 23 Keep hands and foreign objects clear of the lid and latch area when closing the lid. Failure to do so may result in personal injury.
- 24 If the washer is contaminated by a foreign substance such as detergent, dirt, or food waste, unplug the power plug and clean the washer with a damp, soft cloth. Failure to do so may result in discoloration, deformation, damage, or rust.
- 25 The clear portion of the lid can be broken by a strong impact. Take care when using the washer. If the clear portion is cracked or broken, it may result in injury.
- 26 After a water supply failure or when reconnecting the water supply hose, open the faucet slowly.

- 27 Open the faucet slowly after a long period of non-use. The air pressure in the water supply hose or the water pipe may result in damage to a part or in water leakage.
- 28 If a drain error occurs during an operation, check if there is a draining problem. If the washer is used when it is flooded because of a draining problem, it may result in electric shock or fire due to an electrical short circuit. Do not insert your hand or a metal object under the washer. This may result in injury.
- 29 Insert laundry into the washer completely so that the laundry does not get caught in the lid. If laundry gets caught in the lid, it may result in damage to the laundry or the washer, or result in water leakage.
- 30 Make sure that the faucet is turned off when the washer is not being used.
- 31 Make sure that the water supply hose connectors are properly tightened. Failure to do so may result in property damage or injury.
- 32 Open the faucet and check if the water supply hose connector is firmly tightened and that there is no water leaking before using the product. If the water supply hose connectors are loose, it may result in water leakage.
- 33 Do not stand on top of the appliance or place objects (such as laundry, lighted candles, lighted cigarettes, dishes, chemicals, metal objects, etc.) on the appliance. This may result in electric shock, fire, problems with the product, or injury.
- 34 Do not operate the appliance with wet hands. This may result in electric shock.
- 35 Do not spray volatile material such as insecticide onto the surface of the appliance. As well as being harmful to humans, it may also result in electric shock, fire, or problems with the product.
- 36 Do not place an object that generates an electromagnetic field near the washer. This may result in injury due to a malfunction.
- 37 Since the water drained during a high temperature wash or drying cycle is hot, do not touch the water. This may result in burns or injury.
- 38 Do not wash, spin, or dry water-proof seats, mats, or clothing.
- 39 Do not wash thick, hard mats even if the washer mark is on the care label. This may result in injury or damage to the washer, walls, floor, or clothing due to abnormal vibrations.
- 40 Do not operate the washer when the detergent dispenser is removed. This may result in electric shock or injury due to water leakage.
- 41 Do not insert your hand into the detergent dispenser after opening it. This may result in injury because your hand may be caught.
- 42 Do not place any non-laundry objects, such as shoes, food waste, or animals into the washer. This can cause abnormal vibrations that can damage the washer, and, in the case of pets, cause severe injury or death.
- 43 Do not press the buttons using sharp objects such as pins, knives, or fingernails. This may result in electric shock or injury.
- 44 Do not wash laundry contaminated by oils, creams, or lotions usually found in skin-care shops or massage clinics. This may result in the rubber seal becoming deformed and water leakage.
- 45 Make sure that the water inlet pipe is connected and the tap is opened before washing clothes.

- 46 Do not leave metal objects (safety pins, hair pins, and so on) or bleach in the tub for long periods of time. This may cause the tub to rust.
 - If rust appears on the surface of the tub, apply a neutral cleansing agent to the surface and use a sponge to clean it. Never use a metal brush.
- 47 Do not use hot water from water cooling/heating devices. This may result in problems with the washer.
- 48 Do not use natural hand-washing soap in the washer. If it hardens and accumulates inside the washer, it may cause problems with the product, discoloration, rust, or bad odors.
- 49 If using a washing net with this machine (not provided), do not wash laundry items such as bedding in the washing net. Doing so may result in injury due to abnormal vibrations. Place only smaller items, such as lace socks and lingerie, in the washing net.
- 50 Do not use hardened powdered detergent. If it accumulates inside the washer, it may result in water leakage.
- 51 Do not wash throw rugs or doormats. Doing so may cause sand to accumulate inside the washer, resulting in mechanical problems.

Grounding/Earthing

- 1 This appliance must be grounded. In the event of malfunction or breakdown, grounding will reduce the risk of electric shock by providing a path of least resistance for electric current. This appliance is equipped with a cord having an equipment-grounding conductor and a grounding plug. The plug must be plugged into an appropriate outlet that is properly installed and grounded in accordance with all local codes and ordinances.
- 2 **WARNING** – Improper connection of the equipment-grounding conductor can result in a risk of electric shock, fire, explosion, or problems with the product. Check with a qualified electrician or serviceman if you are in doubt as to whether the appliance is properly grounded.
- 3 Do not modify the plug provided with the appliance – if it will not fit the outlet, have a proper outlet installed by a qualified electrician.

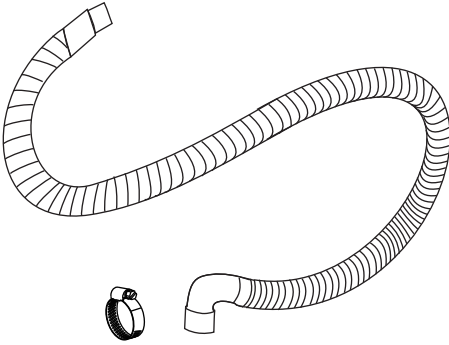
Choosing a proper location

- 1 Do not install this appliance near a heater or inflammable material.
- 2 Do not install this appliance in a humid, oily, or dusty location, or in a location exposed to direct sunlight or water (rain drops).
- 3 Do not install this appliance in a location where gas may leak. Failure to do so may result in electric shock or fire.
- 4 If the washer is moved to a new location, have it checked and re-installed by a qualified service technician. Failure to follow this warning may result in electric shock or fire.

Features

Package contents

Make sure that the following items came with your washer:



Drain hose and clamp (1)



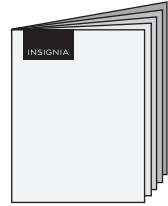
Hose clamp (2)



Filter (2)

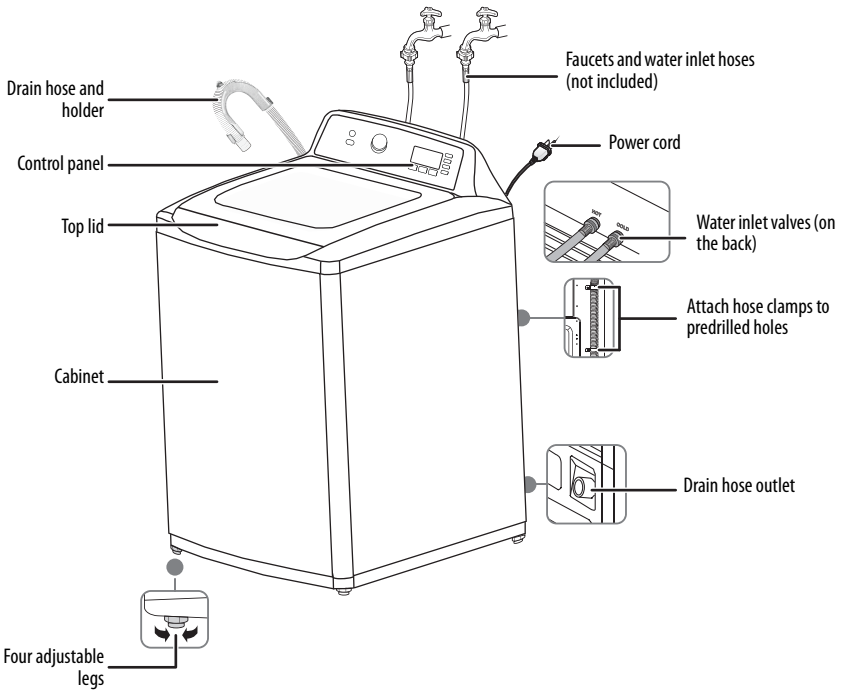


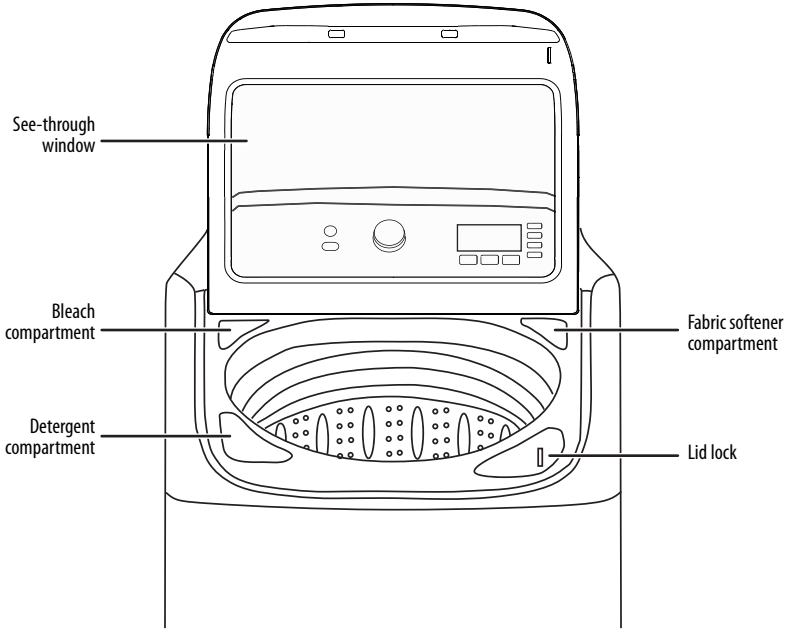
Hose holder (1)



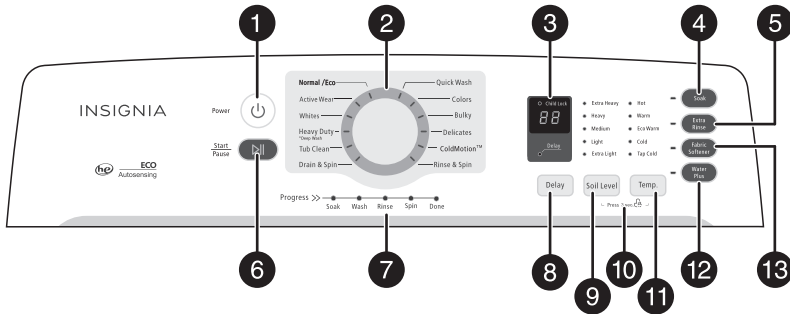
User Guide

Main components





Control panel



#	ITEM	DESCRIPTION
1	Power button	Press to turn on your washer. Press again to turn off your washer. If you leave your washer on and don't press the /Start/Pause button within 10 minutes, your washer automatically turns off.
2	Cycle selector	Turn to select a wash cycle. The cycle you select determines the wash pattern for the cycle. For more information, see Washer options and settings on page 37. Note: ColdMotion™ is a unique Insignia feature which uses cold water to clean your clothing. Select this cycle when washing clothing that requires cold water but may need extra cleaning.
3	Digital display	<ul style="list-style-type: none"> The initial display is the total time for the cycle you select. While your washer is running, the display shows the cycle process and time remaining in the cycle. Note: The time shown is an estimate based on normal operating conditions. External factors (such as the load size, room temperature, incoming water temperature, and water pressure) can affect actual time. If you set a delay time for the start of the cycle, the display shows the time when the cycle will start.
4	Soak button	Press to select the Soak option. Press again to cancel. Select this option for heavily soiled items that need to soak to remove stains and heavy dirt. Soak occurs after the tub fills and detergent is added, but before the wash process. The agitator rotates several times during the soak process.
5	Extra Rinse button	Press to add an extra rinse to the wash cycle. Press again to cancel.
6	/Start/Pause button	Press to start the wash cycle. Press again to pause the cycle. If you pause the cycle, you can add or remove items, but you cannot change any settings. Press again to restart the cycle.

#	ITEM	DESCRIPTION
7	Cycle status lights	Light to indicate what part of the cycle your washer is in. For example, the Soak light turns on when your washer is in the soak process.
8	Delay button	Press to select a time when you want the cycle to begin. You can set the time up to 24 hours in advance in one-hour increments. The display shows the time when the cycle will start. For more information, see Step 6: (Optional) Set a delayed start time on page 34.
9	Soil Level button	Press to select the soil level. Different soil levels result in different washing times and wash cycle settings. For more information, see Washer options and settings on page 37.
10	Child lock	Press and hold the Soil Level and Temp buttons at the same time for three seconds to turn on the child lock function. Press and hold these buttons again for three seconds to turn off the function. When the child lock function is turned on, the only buttons that works is the POWER button and the Soil Level and Temp buttons you use to turn off the child lock. If the child lock function is active and the lid is locked, the lid doesn't unlock automatically when there is an error code. This is a child safety function.
11	Temp button	Press to select the washing water temperature. The rinse water temperature is always cold.
12	Water Plus button	Press to increase one higher water level. Press again to cancel this function. If the water level is already set to the highest, the level doesn't change. This option is not available for the Normal/Eco cycle. If you select the Normal/Eco cycle, then press this button, the cycle changes to the Heavy Duty (*Deep Wash) cycle.
13	Fabric Softener button	Add liquid fabric softener to the fabric softener compartment, then press this button. Your washer adds the fabric softener to the cycle at the correct time.

Unpacking your washer

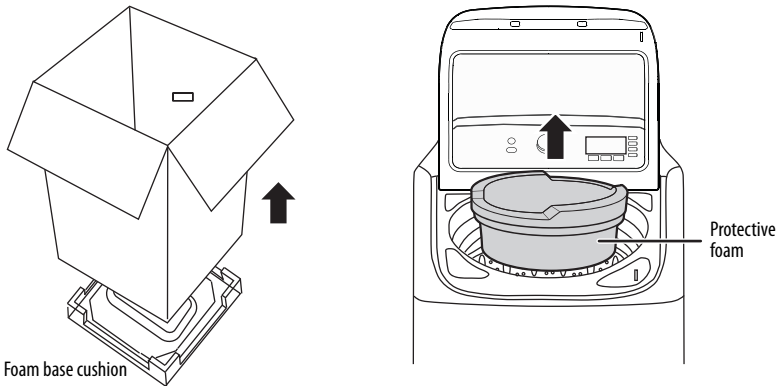
WARNINGS:

- Packing materials can be dangerous to children. Keep all packing materials (plastic bags, polystyrene, and so on) well out of the reach of children.
- Don't operate your washer on the foam base cushion. Doing so results in serious vibration, which could cause equipment damage or result in physical injury.

- Remove the packing box, then lift your washer up and away from the foam base cushion. Open the lid of your washer to take out all accessories including the protective foam.

CAUTION:

Your washer is heavy. You may need help to unpack and move it.



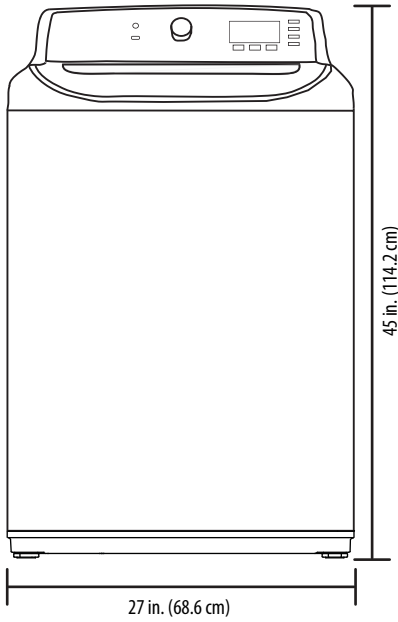
Choosing a location

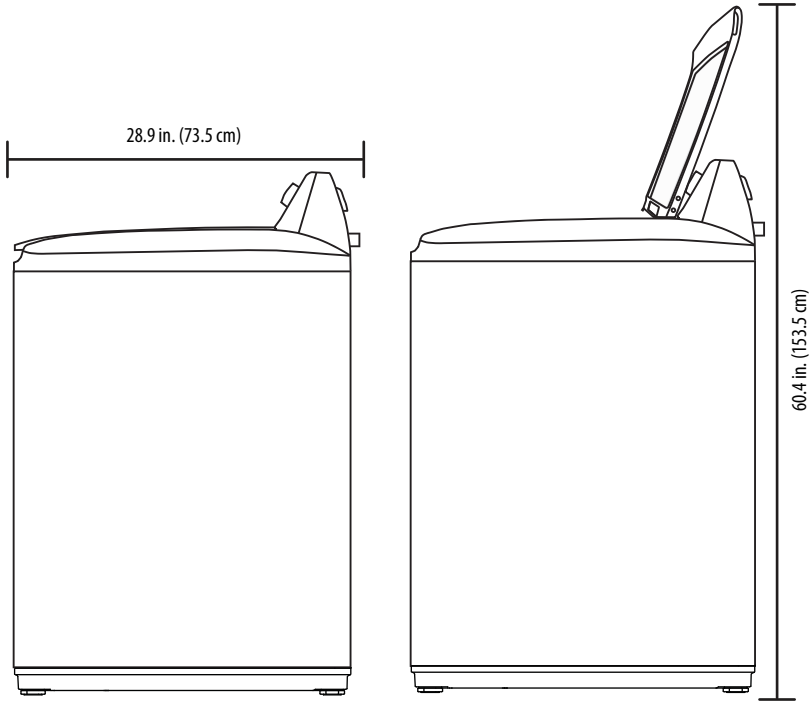
WARNINGS:

- Don't install your washer in areas where water may freeze because your washer always retains some water in its water valve, pump, and hose areas. Frozen water can damage the belts, pump, hoses, and other components.
- Never install on a platform or weakly supported structure.

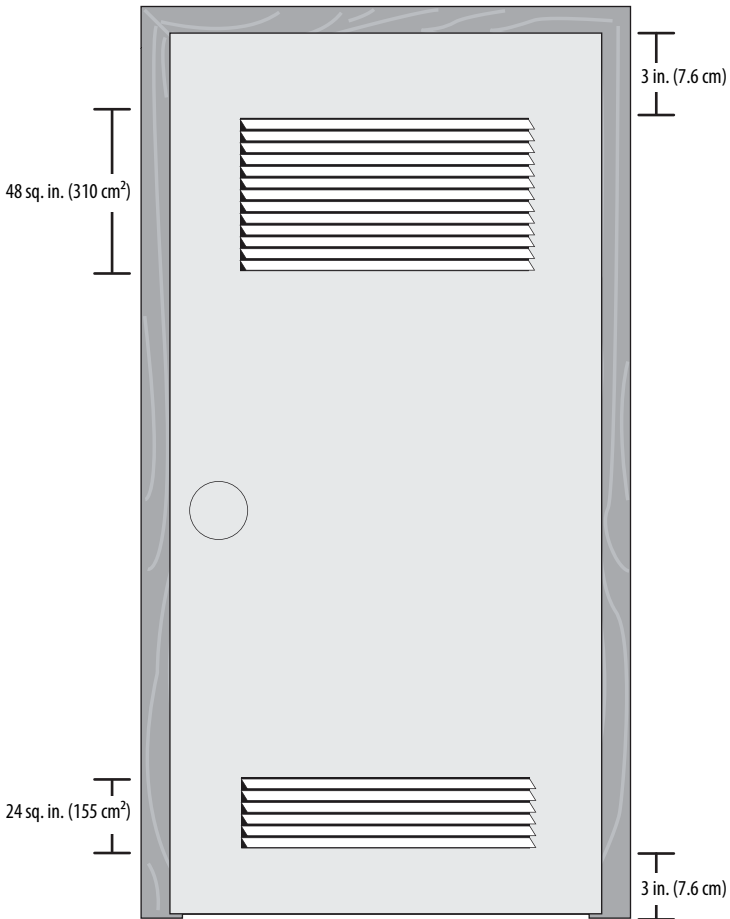
- For best performance, you must install your washer on a solid, level floor.
- Wooden floors may need to be reinforced to minimize vibration or unbalanced load situations.
- Carpeting and soft tile surfaces can contribute to excessive vibration, which can cause your washer to move slightly during the spin cycle.

Washer dimensions and installation measurements





If you install your washer in an alcove or closet, the front of the closet must have two unobstructed air openings for a combined minimum total area of 72 sq. in. (465 sq. cm) with a minimum clearance of 3 in. (7.6 mm) at the top and bottom. A slatted door with equivalent space clearance is acceptable.



Installing in an alcove or closet

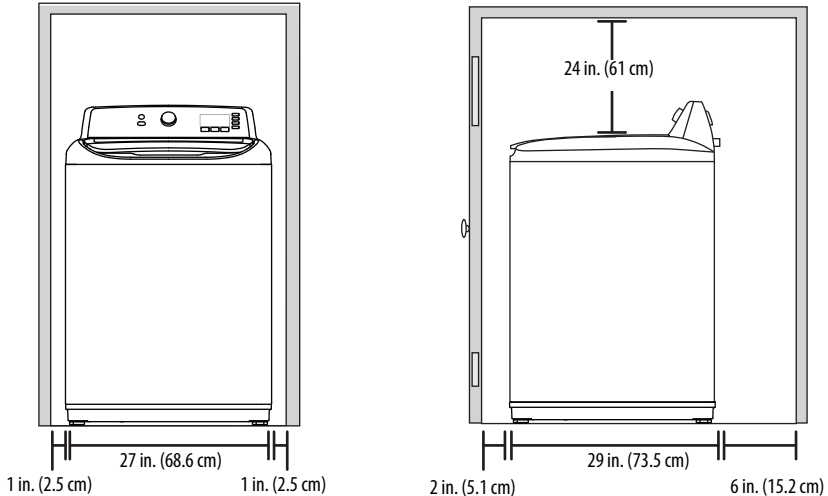
Minimum clearances between your washer and adjacent walls or other surfaces are:

- **Either side:** 1 in. (2.5 cm)
- **Rear:** 6 in. (15.2 cm)
- **Closet Front:** 2 in. (5.1 cm)
- **Top:** 24 in. (61 cm)

- **Gap between the end of the water valve and the wall:**

- **Case 1:** If you connect the supply hose **after** you install your washer: Over 3.9 in. (10 cm)
- **Case 2:** If you connect the supply hose **before** you install your washer: Over 2.8 in. (7 cm)

If you install your washer and dryer side-by-side in a closet, the closet front must have an unobstructed air opening of at least 72 sq. in. (465 sq. cm).



Electrical requirements

WARNING:

To reduce the risk of fire, electric shock, or injury to persons, read the IMPORTANT SAFETY INSTRUCTIONS on page 3 before operating your washer.

Use a 120 Volt, 60 Hz, 15 amp fuse or circuit breaker. We recommend an individual branch circuit that serves only your washer.

WARNING:

Never use an extension cord.

Electrical grounding is required for your washer.

- You must ground your washer. In the event of a malfunction or breakdown, grounding reduces the risk of electric shock by providing a path of least resistance for the electric current.
- Your washer has a power cord with a three-pronged grounding plug for use in a correctly installed and grounded outlet.
- The outlet must be correctly installed and grounded in accordance with all local codes and ordinances.

WARNINGS:

- You're responsible for providing adequate electrical services for your washer.
- To prevent unnecessary risk of fire, electrical shock, or personal injury, all wiring and grounding must be done in accordance with the National Electrical Code ANSI/FNPA, No.70 Latest Revision and local codes and ordinances.
- Never connect the ground wire to plastic plumbing lines, gas lines, or hot water pipes.

Water requirements

To fill your washer in the correct amount of time, the water pressure needs to be between 14 and 116 psi (100 to 800 kPa).

If the water pressure is less than 14 psi (100 kPa):

- The water valve may fail or may not shut off completely.
- The time it takes to fill your washer may be longer than the time your washer controls allow. Your washer turns off and reports an error. A time-limit is built into the controls to prevent flooding in your home if a hose becomes loose.
- Water inlet hoses must be purchased separately. You can buy inlet hoses in various lengths up to 8 ft. (240 cm).
- To avoid the possibility of water damage:
 - Make sure that the water faucets are easily accessible.
 - Turn off the faucets when you aren't using it.
 - Periodically check to make sure that water isn't leaking from the water hose fittings.

Drainage requirements

- The recommended height for the drain standpipe is 48 in. (122 cm).
- The drain hose must be routed through the hose holder to the standpipe.
- The standpipe must be large enough to accept the outside diameter of the drain hose.

Installing your washer**Tools you need**

Pliers



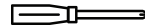
Level



Flat-head screwdriver



Wrench



Phillips screwdriver

Step 1: Select a location

Before you install your washer, make sure that the location:

- Is a hard, level surface without carpeting or soft flooring that can obstruct ventilation.
- Is away from direct sunlight.
- Has adequate ventilation.
- Isn't exposed to freezing temperatures (32° F or 0° C).

- Is away from heat sources such as oil or gas.
- Has enough space so that your washer doesn't rest on its power cord.

See [Choosing a proper location](#) on page 9.

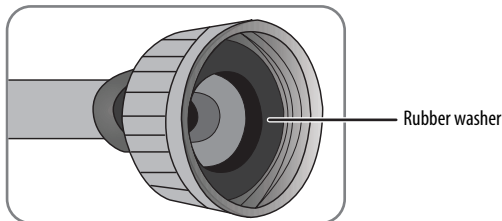
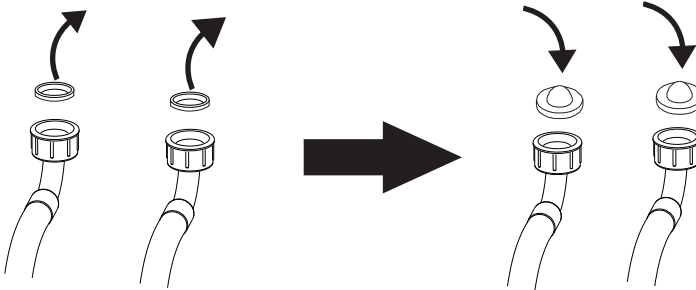
Step 2: Connect the water hoses

Note: The water supply hoses aren't supplied with your washer and must be purchased separately.

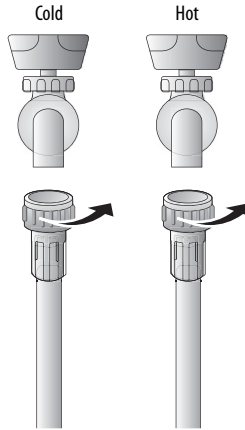
CAUTIONS:

- Use new water supply hoses. Using old hoses can result in leakage or overflow that can damage your property.
- Don't connect multiple water supply hoses together to increase the length of the hose. Hoses connected this way can leak and cause electrical shock. If a hose is too short, replace the hose with a longer, high-pressure hose.

- 1 Before connecting the water-inlet hose to the tap, remove the rubber washer inside the water-inlet hose connector. Take the rubber washer with filter out of the accessory bag and install it into the water-inlet hose connector.

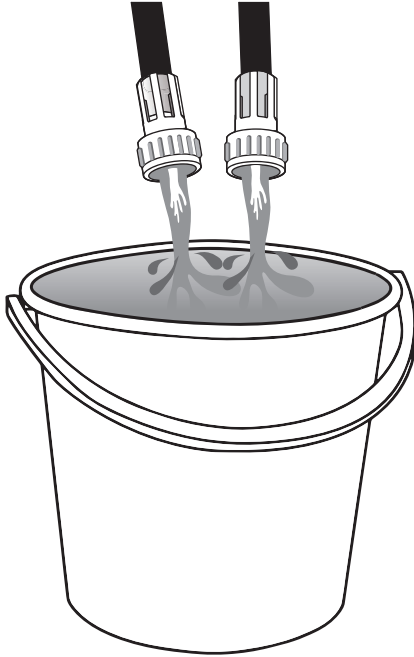


- 2 Tighten the hose and faucet fittings by hand until they are snug. Tighten them an additional two-thirds of a turn with pliers or a wrench. Pull the water supply hoses downwards to make sure that they are connected securely.

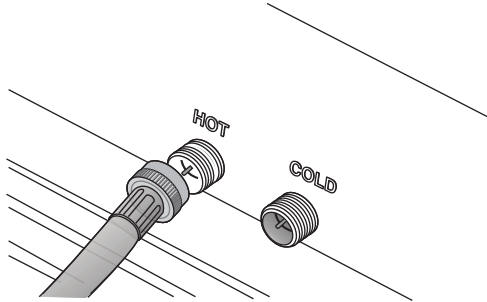
**CAUTION:**

Don't overtighten the fittings or apply tape or sealant to the faucets or water supply intakes. This can damage the fittings.

- 3 Place the unconnected ends of the hoses into a bucket, then turn on the faucets connected to the water supply hoses for 10 or 15 seconds to remove any foreign substances. Turn off the faucets.

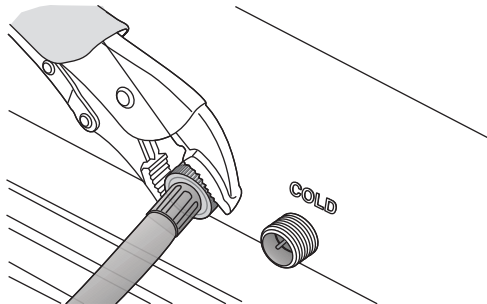


- 4 Connect the ends of the water supply hoses to the water supply intake connections at the top of your washer. Make sure that the rubber washers are in place. The water supply hose connected to the hot faucet must be connected to the hot water supply intake and the water hose connected to the cold faucet must be connected to the cold water supply intake.

**Notes:**

- If you don't want to use the hot water supply hose, insert a water intake cap into the hot water supply intake hole. In this case, you must select the **Tap Cold** option for the water temperature.
- An intake cap isn't provided with your washer. You must purchase it separately.

- 5 Tighten the fittings by hand until they are snug, then tighten them an additional two-thirds of a turn with pliers or a wrench.

**CAUTIONS:**

- Don't overtighten the fittings or apply tape or sealant to the faucets or water supply intakes. This can damage the fittings.
- Make sure that the water supply hoses aren't twisted or bent. A bent or twisted hose can leak and cause an electric shock because of water leakage. To ensure the correct water usage, connect both hot and cold water faucets. If either or both aren't connected, an error code could occur.

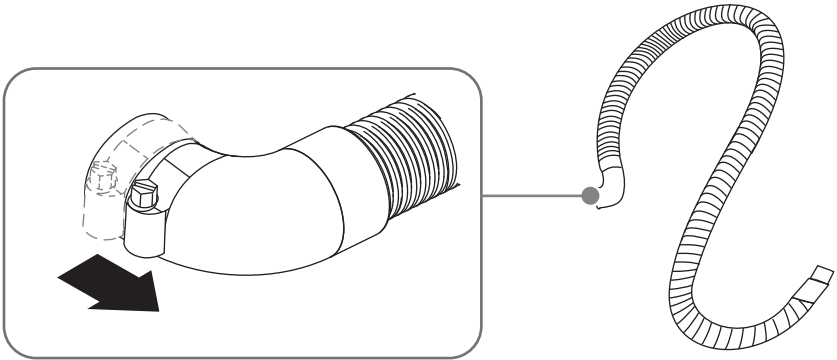
- 6 Turn on the hot and cold water supplies, then check all the water supply intake connections and the faucets for water leaks.

Step 3: Connect the drain hose

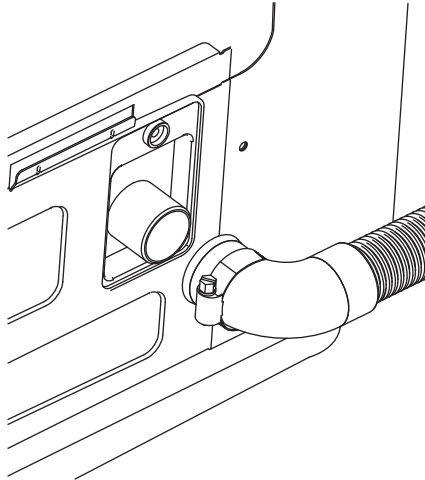
CAUTIONS:

- Failure to slide the drain hose completely over your washer's drain pipe may result in water leakage.
- Failure to move the clamp or hoop onto your washer's drain pipe results in water leakage.

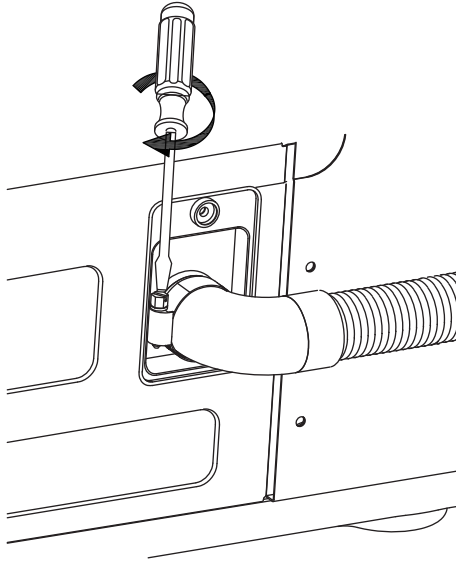
- 1 Find the end of the drain hose that has the clamp, then slide the clamp away from the end of the hose.



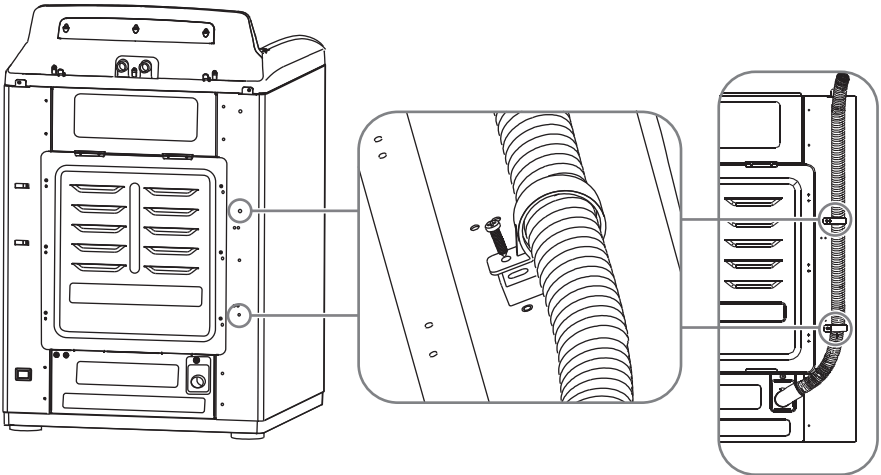
- 2 Insert the drain hose with the clamp onto your washer's drain pipe. Make sure that the drain hose completely covers the end of the drain pipe.



- 3 Move the clamp toward the drain pipe outlet. Tighten the clamp with a flat-head screwdriver.



- 4 Fasten the drain hose to the washer frame at the indicated locations with the provided hose clamps (2), using a Phillips screwdriver.

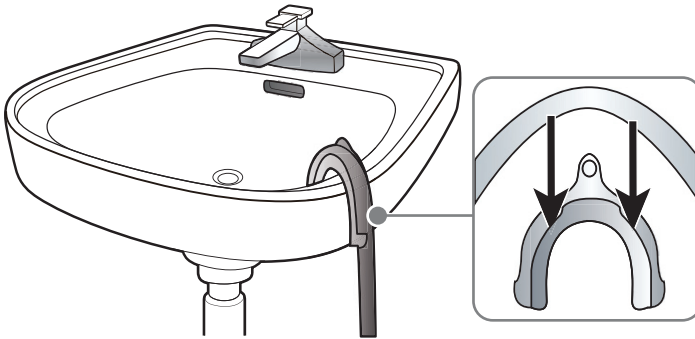


- Position the other end of the drain hose (the loose end) in one of the following ways:

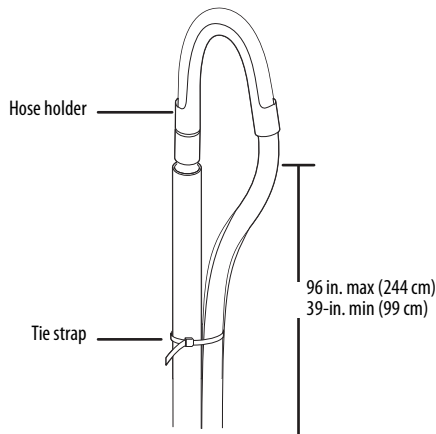
CAUTION:

Make sure that the connection between the drain hose and the wash basin, standpipe, or laundry tub isn't airtight.

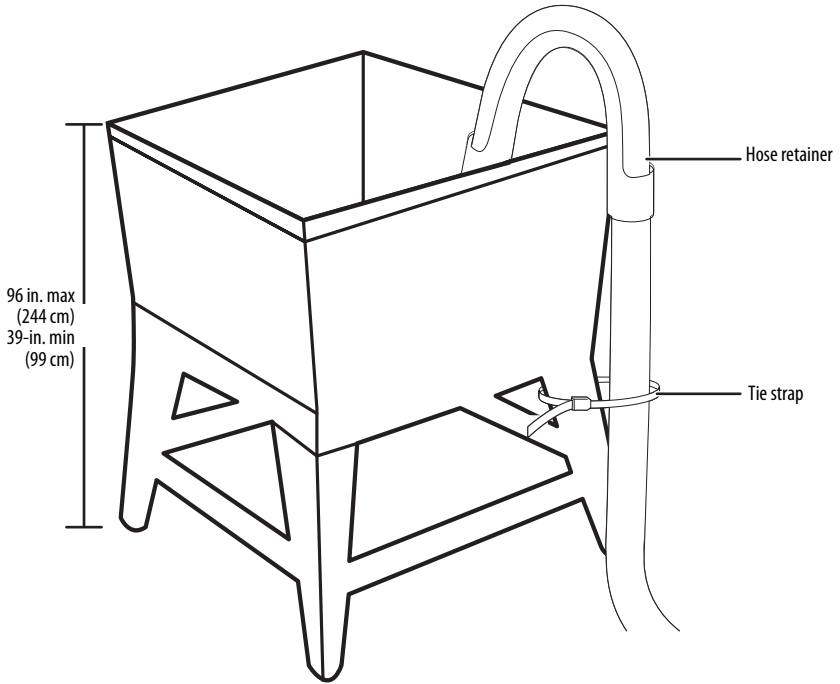
- Over the edge of a wash basin** - Secure the guide to the side of the basin wall with the hose holder, then tape it or tie it with a piece of cord to prevent the drain hose from moving.



- In a standpipe** - The standpipe must be no shorter than 39 in. (99 cm) and no longer than 96 in. (244 cm).



- **In a laundry tub** - The laundry tub must be no shorter than 39 in. (99 cm) and no higher than 96 in. (244 cm) maximum.



Step 4: Level your washer

CAUTION:

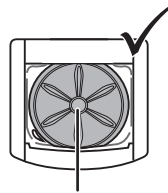
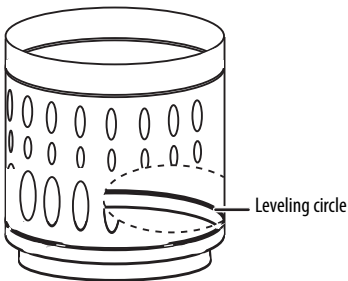
Don't use your washing machine without leveling it. If your washer isn't level, it may:

- Vibrate excessively which can cause your washer to malfunction
- Make excessive noise
- Indicate error codes E3 or E4 when your washer is running

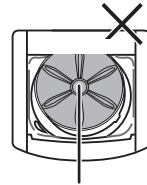
Extend the leveling feet only as much as is necessary. If the feet are extended too much, your washer may vibrate.

Determine if your washer is level by checking the position of the tub or by using a level.

- 1 Slide your washer into position.
- 2 Open your washer's lid, then pour water into the tub to the leveling circle. If your washer is level, the water touches the leveling circle all the way around. If your washer isn't level, the water only touches part of the leveling circle.



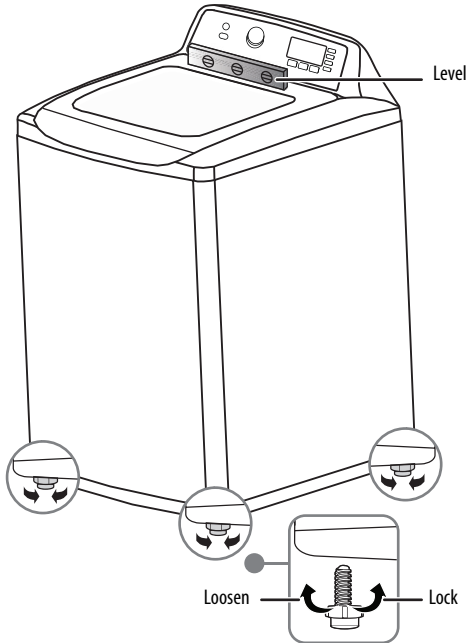
Washer is level - the water touches the leveling circle all the way around.



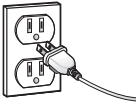
Washer not level - the water does not touch the leveling circle all the way around.

- 3 If your washer isn't level, carefully tilt your washer just enough to adjust the leveling feet (two in the front and two in the back) on the bottom of your washer. Extend the feet only as much as is necessary. If the feet are extended too much, your washer may vibrate.

Note: Having someone tilt your washer helps to take some weight off the leveling feet and makes them easier to adjust.



Step 5: Power your washer



Plug the power cord into a well-grounded, 3-prong, 120 Volt 60 Hz approved electrical outlet, protected by a 15-amp fuse or comparable circuit breaker. Your washer is grounded through the third prong of the power cord.

Step 6: Run a test cycle

Run a test cycle to make sure that your washer is correctly installed.

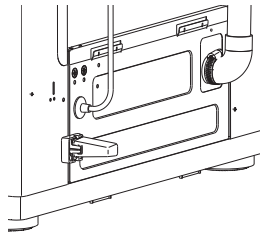
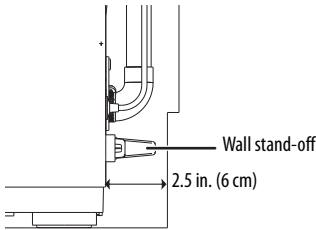
- 1 Load about 6 lbs. (2.7 kg) of laundry into the tub.
- 2 Press the **⏻/Power** button to turn on your washer.
- 3 Turn the cycle selector to select the **Rinse & Spin** cycle.
- 4 Press the **▶||/Start/Pause** button to start the test cycle. Your washer shouldn't rock or vibrate excessively when water fills the tub, or when washing or spinning. Your washer should drain well during the spin cycle.

CAUTIONS:

- If you detect any water leaks while your washer is filling or draining, check the water connections. See [Step 2: Connect the water hoses](#) on page 21 or [Step 3: Connect the drain hose](#) on page 25.
- If your washer rocks or vibrates excessively, level it again. See [Step 4: Level your washer](#) on page 29.

Step 7: Protect the power cord

- 1 Keep the power cord away at least 2.5 in. (6 cm) from the skirting line of the wall or any sharp objects when installing.
- 2 Rotate the wall stand-off 90° clockwise and make sure that the wall stand-off is in the stop position.



Washing a load of laundry


WARNING:

To reduce the risk of fire, electric shock, or injury to persons, read the IMPORTANT SAFETY INSTRUCTIONS on page 3 before operating your washer.

Step 1: Selecting a detergent

- For the best cleaning results, use a regular detergent.
- Reducing the amount of detergent may reduce the quality of cleaning. Make sure that you:
 - Pre-treat stains
 - Sort carefully by color and soil level
 - Avoid overloading

Step 2: Turn on your washer

- Press the /Power button to turn on your washer. Your washer's initial settings are:
 - **Normal/Eco** on the cycle selector with -- displayed on the digital display
 - **Medium** for the **Soil Level**
 - **Warm** for the **Wash Temp**

Step 3: Load your washer

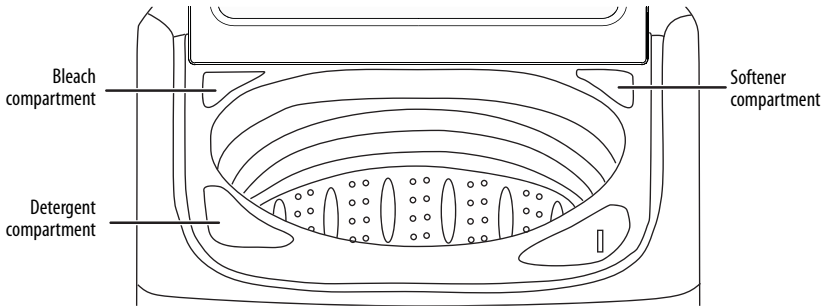
CAUTION:

Before loading your laundry, make sure that you remove coins, keys, and other hard objects, and that you close zippers. These items may damage clothes.

- 1 Sort laundry by fabric type, soil level, color, and load size.
- 2 Fill the tub with dry, unfolded clothes. Load the tub no more than 3/4 full.

Notes:

- Overloading may reduce washing efficiency, cause excess wear, and possibly cause creasing or wrinkling of the load.
- Wash delicate items such as bras, hosiery, and other lingerie on the **Delicates** cycle with similar lightweight items.
- When washing big, bulky items (such as rugs or pillows) or a few smaller items (such as stuffed toys or one or two sweaters) that don't fill the tub completely, add a few towels to improve spin performance.
- Always use the **Bulky** cycle for bulky items.
- When washing heavily soiled loads, don't overload your washer for good cleaning results.

Step 4: Add detergent and additives to the compartments

- 1 Pour the recommended amount of laundry detergent directly into the detergent compartment before starting your washer.
- 2 If you're using color-safe bleach, add it with the detergent to the detergent compartment.

Notes:

- When adding color-safe bleach with detergent, both laundry products must be in the same form (liquid).
- If you are using powder detergent, add it to the bottom of the tub before you add the load.

OR

If you're adding liquid chlorine bleach, pour it into the bleach compartment. Don't put powdered bleach into the compartment. Don't over-fill the compartment.

Note: The bleach dispenser doesn't have a water inlet to the bleach dispenser, so the bleach directly loads into the tub when you pour it in.

CAUTIONS:

- Avoid splashing or over-filling the compartment.
- Never pour undiluted liquid chlorine bleach directly onto the load or into the tub. Doing so can damage fabrics, by weakening of the fibers or stripping the color.
- Don't pour color-safe bleach into the bleach compartment. Instead, add it to the detergent compartment.

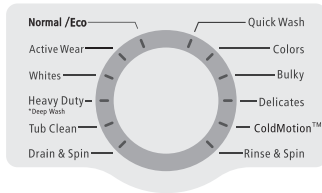
- 3 Pour the recommended amount of liquid fabric softener into the softener compartment. The dispenser automatically releases liquid fabric softener at the correct time during the rinse cycle.

CAUTIONS:

- Use the softener compartment **ONLY** for liquid fabric softeners.
- Don't use the Downy Ball® in your washer.
- Don't use liquid fabric softener that is too sticky because it may not mix with the water sufficiently.
- Make sure that you push the **Fabric Softener** button when using a fabric softener so that it is released in the rinse portion of the cycle.

Step 5: Select the appropriate cycle and options for the load

- 1 Turn the cycle selector to select a washing cycle. For information on wash cycles, see [Washer options and settings](#) on page 37.

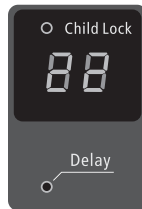


- 2 **Optional:** Use the control panel buttons (like **Fabric Softener**) to customize the washing cycle. For descriptions of buttons, see [Control panel](#) on page 13. For information about which buttons are available for each cycle type, see [Washer options and settings](#) on page 37.

Step 6: (Optional) Set a delayed start time

You can program a wash cycle, then set a time when you want a wash cycle to begin.

- 1 Press the **Delay** button to turn on the delay start time function.



- 2 Press the **Delay** button repeatedly to select the delay time you want. The delay start time, in hours, appears on the display, in sequence, from **0** to **24**, then back to **0**. When you reach the time setting you want, hold the **Delay** button for three second to confirm the setting.

You can also press and hold the **Delay** button to quickly adjust the time until the time you want appears on the display.

- If you want to change the wash cycle settings while you're setting the delay start time, turn the cycle selector. To return to setting the delay start time function, repeat Steps 1 and 2.

Notes:

- After the number of delay hours is reached by pushing the **Delay** button, release the button for three seconds to confirm the setting. The **Delay** light will remain on.
- After the delay time is set, if you want to change the delay setting, press the **Delay** button again until the hour you want is reached. Release the button for three seconds.
- If you decide to cancel the delay setting, you can either turn the cycle selector or push the **Delay** button until **0** is reached.
- Ideally, you should set your cycle before setting the delay time because turning the cycle selector after you set the delay time cancels the delay function.
- You can't change the Delay Start Time after the program has started.**

- To cancel the delay start time function before you save the setting, press the **Delay** button until **0** appears on the display, or turn the cycle selector knob.

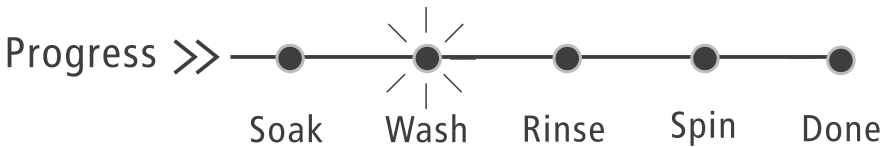
Notes:

- You can change settings or cancel the delay start time function anytime before you press the **▶||/Start/Pause** button by turning the cycle selector.
- You can't change the delay start time after you press the **▶||/Start/Pause** button. If you pressed the **▶||/Start/Pause** button, you can cancel the delay start time function by pressing the **⏻/Power** button to turn off your washer, then pressing the button again to turn it back on.

Step 7: Start your washer

- Press the **▶||/Start/Pause** button.

Note: If you haven't set a delayed start time or if the delay time has expired, your washer starts the cycle and the **Wash** light turns on. As your washer moves from stage to stage in the wash cycle, the related light turns on (such as **Rinse** or **Spin**). If you set a delayed start time, the **Delay** light turns on and your washer starts counting down the start time.



- If you need to pause the cycle (for example to add or remove items or adjust the load), press the **▶||/Start/Pause** button, then open the lid. Your washer stops. When you're ready to resume washing, close the lid, then press the button again.

Step 8: Unload your laundry

When the wash cycle is complete:

- The **Done** light turns on.



- Your washer beeps six times and flashes **11, 22, 33, 44, 55, 66** after the cycle is done.
- Your washer unlocks the lid.

Open the lid and remove the laundry.

Setting the child lock

Your washer has a child lock function to prevent children from playing with your washer. When you turn on the child lock, the only buttons that work are the **Power** button and the **Soil Level** and **Temp** buttons you use to turn off the child lock.

- 1 Press and hold both the **Soil Level** and **Temp** buttons for three seconds. The child lock light turns on.



- 2 For the safety consideration, turn on the child lock after pressing the **Start/Pause** button to start your washer using the cycle and option you selected.

- To turn off the child lock, press and hold both the **Soil Level** and **Temp** buttons for three seconds.

WARNING:

If your washer is turned off after the child lock functionality has been turned on, the lid unlocks and the water is drained from the tub. The child lock function remains on. To restart your washer, turn your washer on, turn off the child lock function, then select your cycle option and press the ►||/Start/Pause button to activate your washing cycle.

Notes:

- For child safety reasons, you can use the child lock function when you turn off your washer. Press the ⏻/Power button, turn on the child lock function, then press the ⏻/Power button to turn off your washer. When you want to use your washer, you need to turn off the lock function.
- If your washer displays the E3 code while the child lock is turned on and you're running a load, your washer waits 20 seconds for you to turn off the child lock. If you don't turn off the lock, your washer displays CL and drains all the water from the tub. To clear the alarm, press the ⏻/Power button to turn off your washer. To continue running the load, turn on your washer, then turn off the child lock. You can use your washer normally.

Washer options and settings

- For best performance, the maximum load weight = 18.7 lbs. (8.5 kg) (dry clothes).
- Bolded options are initial settings. • (dots) indicate optional functions you can select.

CYCLE.	FABRIC TYPE	SOIL LEVEL	TEMP	DELAY	SOAK	EXTRA RINSE	FABRIC SOFTENER	WATER PLUS
Normal/ Eco	Cotton Linen Towels Shirts Sheets Jeans Mixed loads	Extra Heavy Heavy Medium Light Extra Light	Hot Warm Eco Warm Cold Tap Cold	•	•	•	•	• Switches to *Deep Wash
Active Wear	Active wear	Heavy Medium Light Extra Light	Hot Warm Eco Warm Cold Tap Cold	•	•	•	•	•
Whites	White fabrics	Medium Light Extra Light	Hot Warm Eco Warm Cold Tap Cold	•	•	•	•	•

CYCLE.	FABRIC TYPE	SOIL LEVEL	TEMP	DELAY	SOAK	EXTRA RINSE	FABRIC SOFTENER	WATER PLUS
Heavy Duty *Deep Wash	Heavily soiled cotton fabrics	Extra Heavy Heavy Medium Light	Hot Warm Eco Warm Cold Tap Cold	•	•	•	•	•
Tub Clean	See page 39	Extra Heavy	Hot	•				
Cold Motion™		Medium Light Extra Light	Tap Cold	•				•
Rinse & Spin			Tap Cold	•			•	•
Drain & Spin								
Delicates	Dress shirts Blouses Nylons Sheer/lacy	Heavy Medium Light Extra Light	Hot Warm Eco Warm Cold Tap Cold	•	•	•	•	•
Bulky	Large items like blankets and comforters	Extra Heavy Heavy Medium Light Extra Light	Hot Warm Eco Warm Cold Tap Cold	•	•	•	•	•
Colors	Cotton Linen Towels Shirts Sheets Jeans Mixed loads	Heavy Medium Light Extra Light	Tap Cold	•	•	•	•	•
Quick Wash	Lightly soiled and small loads	Medium Light Extra Light	Hot Warm Eco Warm Cold Tap Cold	•	•	•	•	•

Maintaining your washer

CAUTION:

Turn off the water faucets after final use. This shuts off the water supply to your washer and prevents the possibility of damage from escaping water. Leave the lid open to let the inside of your washer dry out.

Cleaning the exterior

- Use a soft cloth to wipe up all detergent, bleach, or other spills as they occur.

Cleaning the interior

- Clean the interior of your washer periodically to remove any dirt, soil, odor, mold, mildew, or bacterial residue that may remain in your washer as a result of washing clothes.

Failure to follow these instructions may result in unpleasant conditions, including odors or permanent stains in your washer or on your laundry.

- To remove hard water deposits, use a cleaner labeled “Washer safe.”

Cleaning the control panel

- Clean with a soft, damp cloth. Don't use abrasive powders or cleaning pads.
- Don't spray cleaners directly on the panel. The control panel finish may be damaged by some laundry pre-treatment soil and stain remover products. Apply such products away from your washer and wipe up any spills or over-spray immediately.

Cleaning the detergent, bleach, or softener compartment



- To remove laundry product residue, wipe with a damp cloth and towel dry.
- You can remove the detergent and softener compartments to clean them. However, the bleach compartment isn't removable, so you must flush the compartment while it is in your washer.

Cleaning the tub

The **Tub Clean** cycle is a self-cleaning cycle that removes the causes of odors that may occur inside your washer without using a cleaning agent. We suggest cleaning the tub about once a month.

CAUTION:

Never use the **Tub Clean** cycle when laundry is in your washer. This may damage the laundry or your washer.

- 1 With the tub empty, add one cup of chlorine bleach to the bleach dispenser.
- 2 Press the  **Power** button.
- 3 Turn the cycle selector to **Tub Clean**. When you select **Tub Clean**, the only option you can change is the **Delay** option.
- 4 Press the  **Start/Pause** button.

Storing your washer

You can damage your washer if you don't remove water from hoses and internal components before storage.

To prepare your washer for storage:

- 1 Select the **Quick Wash** cycle and add bleach to your washer. Run your washer through the cycle without a load.
- 2 Turn the water faucets off and disconnect the inlet hoses.
- 3 Unplug your washer from the electrical outlet and leave your washer's lid open to let air circulate inside the tub.

CAUTION:

If your washer has been stored in below-freezing temperatures, allow time for any leftover water in your washer to thaw out before use.

Troubleshooting

CAUTION:

Don't try to repair your washer yourself. Doing so invalidates the warranty.

PROBLEM	SOLUTION
Washer doesn't start	<ul style="list-style-type: none"> • Make sure that your washer is plugged in. • Make sure that the lid is closed. • Make sure that the water source faucets are open. • Make sure that you press the ► /Start/Pause button to start your washer. • Before your washer starts to fill, it makes a series of clicking noises to make sure that the lid is locked and to do a quick drain. • Make sure that the child lock function isn't turned on. See Setting the child lock on page 36. • Make sure that the Delay option isn't turned on. See Step 6: (Optional) Set a delayed start time on page 34. • Check the fuse or reset the circuit breaker.
No water or not enough water OR Detergent or softener is still in its compartment after the wash cycle is completed	<ul style="list-style-type: none"> • Make sure that both faucets are fully turned on. • Make sure that the water pressure is in the range listed in Water requirements on page 20. • Make sure that the water inlet hoses aren't kinked. Straighten if necessary. • Disconnect the hoses and clean the hose filter screens. The screens may be clogged.

PROBLEM	SOLUTION
Washer vibrates or is too noisy	<ul style="list-style-type: none"> • Make sure that your washer is set on a level surface. If the surface isn't level, adjust your washer's feet to level your washer. See Step 4: Level your washer on page 29. • Make sure that your washer isn't touching any other object. • Make sure that the laundry load is balanced. • During the spin process, if clothes are piled to one side of the tub, your washer may stop because of the imbalance. Your washer tries up to three times to solve the problem automatically. If your washer can't solve the problem, try to manually redistribute clothes inside the tub. • Note to reviewers: imbalance is correct here because it is used as a noun.
Washer stops	<ul style="list-style-type: none"> • Make sure that the power outlet is a working outlet. • Close the lid, then press the ► /Start/Pause button to start your washer. For your safety, your washer doesn't spin unless the lid is closed. • Before your washer starts to fill, it makes a series of clicking noises to make sure that the lid is locked and to do a quick drain. • Sometimes your washer may pause between stages in the cycle. Wait to see if your washer starts again. • Disconnect the inlet hoses and clean the hose filter screens periodically. The screens may be clogged. • Check the fuse or reset the circuit breaker.
Lid is locked or doesn't open	<ul style="list-style-type: none"> • Press the ► /Start/Pause button to pause your washer. You can't open the lid if your washer is running. • After you pause your washer, it may take a few seconds for the lid lock to release. • If the lid is locked when your washer isn't running, press the ⏻/Power button to turn on your washer. • If power fails while your washer is running, the lid unlocks when power is restored. Your washer waits three minutes, then runs the rest of the cycle.
Washer doesn't drain or spin	<ul style="list-style-type: none"> • Close the lid, then press the ► /Start/Pause button to start your washer. For your safety, your washer doesn't spin unless the lid is closed. • Make sure that the drain hose isn't kinked. Straighten as necessary. • Make sure that the height of the drain hose is within specified limits. See Drainage requirements on page 20. • Check the fuse or reset the circuit breaker. • The pipes to your sewer system may be clogged. Contact a plumber or qualified repair professional.
The water temperature isn't correct	<ul style="list-style-type: none"> • Make sure that you've selected the correct temperature. • Make sure that the water source faucets are fully opened. • Make sure that the hoses are connected to the correct faucet and water intake connections on your washer, then flush the lines. See Step 2: Connect the water hoses on page 21. • Disconnect the hoses and clean the hose filter screens. The hose may be clogged.

PROBLEM	SOLUTION
Load is too wet at the end of the cycle	<ul style="list-style-type: none"> • Use a high-efficiency detergent to reduce over-sudsing. See Step 1: Selecting a detergent on page 32. • The load may be too small. Very small loads (one or two items) may become unbalanced and not spin out completely.
Water leaks	<ul style="list-style-type: none"> • Make sure that all hose connections are tight. See Step 2: Connect the water hoses on page 21 and Step 3: Connect the drain hose on page 25. • Make sure that the end of the drain hose is correctly inserted and secured to the drainage system. See Step 3: Connect the drain hose on page 25. • Avoid overloading. • Use a high-efficiency detergent to reduce over-sudsing. See Step 1: Selecting a detergent on page 32.
Load has too many suds	<ul style="list-style-type: none"> • Use a high-efficiency detergent to reduce over-sudsing. See Step 1: Selecting a detergent on page 32. • If you have "soft" water, reduce the amount of detergent. • For small or lightly soiled loads, reduce the amount of detergent.
Washer has an odor	<ul style="list-style-type: none"> • Periodically run a Tub Clean cycle to clean the tub. See Cleaning the tub on page 39. • Use a high-efficiency detergent to reduce over-sudsing. Excessive suds collect in nooks and crannies and cause odor. See Step 1: Selecting a detergent on page 32. • Dry the interior of your washer after the total cycle has finished.

Understanding the error codes

Your washer has an automatic error-monitoring system to detect and diagnose problems at an early stage.

ERROR CODE	POSSIBLE CAUSE	SOLUTIONS
E1	Your washer takes more than 30 minutes to fill with water. After water finishes entering your washer, the water level hasn't changed in five minutes.	<ul style="list-style-type: none"> • Make sure that the lid isn't open. • Make sure that water isn't leaking. See No water or not enough water on page 40. • Contact Insignia Customer Care.
E2	Your washer takes more than 10 minutes to drain.	<ul style="list-style-type: none"> • See Washer doesn't drain or spin on page 41.
E3	The lid is open.	<ul style="list-style-type: none"> • Close the lid. • The lid lock or PCB has failed. Contact Insignia Customer Care.
E4	Your washer is out of balance more than three times in spin operation.	<ul style="list-style-type: none"> • See Washer vibrates or is too noisy on page 41. • Contact Insignia Customer Care.
E5	Impact switch failed. The switch is pressed against the outer tub cover.	<ul style="list-style-type: none"> • Level your washer. See Step 4: Level your washer on page 29. • Contact Insignia Customer Care.
F2	The EEPROM failed.	<ul style="list-style-type: none"> • Contact Insignia Customer Care.
F5	Load sensing failed.	<ul style="list-style-type: none"> • Contact Insignia Customer Care.
	Your washer is not level.	<ul style="list-style-type: none"> • Level your washer. See Step 4: Level your washer on page 29.
F8	Water level sensor failed.	<ul style="list-style-type: none"> • Contact Insignia Customer Care.
Fd	Lid lock failed.	<ul style="list-style-type: none"> • Contact Insignia Customer Care.
C9	The PCB failed.	<ul style="list-style-type: none"> • Contact Insignia Customer Care.
CL	The lid has been open for over 20 seconds with the child lock function turned on.	<ul style="list-style-type: none"> • Press the ⏻/Power button to turn off your washer. • Turn off the child lock function. See Setting the child lock on page 36. • Contact Insignia Customer Care.

Note: To clear the E1, E2, E3, or E4 error code, press the **▶||/Start/Pause** button. If the child lock is turned on, turn off the lock first, then press the **▶||/Start/Pause** button.

Specifications

Dimensions (H × W × D)	45 in. × 27 in. × 29 in. (114.2 cm × 68.6 cm × 73.6 cm)
Weight	137.8 lbs (62.5 kg)
Power	120 V~/60 Hz
Current draw	10A
Pulsator type	Impeller
Drum grain	Ellipse
Display type	LED
Display color	Blue
Motor	Single phase induction

ONE-YEAR LIMITED WARRANTY

Definitions:

The Distributor* of Insignia branded products warrants to you, the original purchaser of this new Insignia-branded product ("Product"), that the Product shall be free of defects in the original manufacturer of the material or workmanship for a period of one (1) year from the date of your purchase of the Product ("Warranty Period").

For this warranty to apply, your Product must be purchased in the United States or Canada from a Best Buy branded retail store or online at www.bestbuy.com or www.bestbuy.ca and is packaged with this warranty statement.

How long does the coverage last?

The Warranty Period lasts for 1 year (365 days) from the date you purchased the Product. Your purchase date is printed on the receipt you received with the Product.

What does this warranty cover?

During the Warranty Period, if the original manufacture of the material or workmanship of the Product is determined to be defective by an authorized Insignia repair center or store personnel, Insignia will (at its sole option): (1) repair the Product with new or rebuilt parts; or (2) replace the Product at no charge with new or rebuilt comparable products or parts. Products and parts replaced under this warranty become the property of Insignia and are not returned to you. If service of Products or parts are required after the Warranty Period expires, you must pay all labor and parts charges. This warranty lasts as long as you own your Insignia Product during the Warranty Period. Warranty coverage terminates if you sell or otherwise transfer the Product.

How to obtain warranty service?

If you purchased the Product at a Best Buy retail store location or from a Best Buy online website (www.bestbuy.com or www.bestbuy.ca), please take your original receipt and the Product to any Best Buy store. Make sure that you place the Product in its original packaging or packaging that provides the same amount of protection as the original packaging.

To obtain warranty service, in the United States and Canada call 1-877-467-4289. Call agents may diagnose and correct the issue over the phone.

Where is the warranty valid?

This warranty is valid only in the United States and Canada at Best Buy branded retail stores or websites to the original purchaser of the product in the country where the original purchase was made.

What does the warranty not cover?

This warranty does not cover:

- Food loss/spoilage due to failure of refrigerator or freezer
- Customer instruction/education
- Installation
- Set up adjustments
- Cosmetic damage
- Damage due to weather, lightning, and other acts of God, such as power surges
- Accidental damage
- Misuse
- Abuse
- Negligence
- Commercial purposes/use, including but not limited to use in a place of business or in communal areas of a multiple dwelling condominium or apartment complex, or otherwise used in a place of other than a private home.
- Modification of any part of the Product, including the antenna
- Display panel damaged by static (non-moving) images applied for lengthy periods (burn-in).

- Damage due to incorrect operation or maintenance
- Connection to an incorrect voltage or power supply
- Attempted repair by any person not authorized by Insignia to service the Product
- Products sold “as is” or “with all faults”
- Consumables, including but not limited to batteries (i.e. AA, AAA, C etc.)
- Products where the factory applied serial number has been altered or removed
- Loss or Theft of this product or any part of the product
- Display panels containing up to three (3) pixel failures (dots that are dark or incorrectly illuminated) grouped in an area smaller than one tenth (1/10) of the display size or up to five (5) pixel failures throughout the display. (Pixel based displays may contain a limited number of pixels that may not function normally.)
- Failures or Damage caused by any contact including but not limited to liquids, gels or pastes.

REPAIR REPLACEMENT AS PROVIDED UNDER THIS WARRANTY IS YOUR EXCLUSIVE REMEDY FOR BREACH OF WARRANTY. INSIGNIA SHALL NOT BE LIABLE FOR ANY INCIDENTAL OR CONSEQUENTIAL DAMAGES FOR THE BREACH OF ANY EXPRESS OR IMPLIED WARRANTY ON THIS PRODUCT, INCLUDING, BUT NOT LIMITED TO, LOST DATA, LOSS OF USE OF YOUR PRODUCT, LOST BUSINESS OR LOST PROFITS. INSIGNIA PRODUCTS MAKES NO OTHER EXPRESS WARRANTIES WITH RESPECT TO THE PRODUCT, ALL EXPRESS AND IMPLIED WARRANTIES FOR THE PRODUCT, INCLUDING BUT NOT LIMITED TO ANY IMPLIED WARRANTIES OF AND CONDITIONS OF MERCHANTABILITY AND FITNESS FOR A PARTICULAR PURPOSE, ARE LIMITED IN DURATION TO THE WARRANTY PERIOD SET FORTH ABOVE AND NO WARRANTIES, WHETHER EXPRESS OR IMPLIED, WILL APPLY AFTER THE WARRANTY PERIOD. SOME STATES, PROVINCES AND JURISDICTIONS DO NOT ALLOW LIMITATIONS ON HOW LONG AN IMPLIED WARRANTY LASTS, SO THE ABOVE LIMITATION MAY NOT APPLY TO YOU. THIS WARRANTY GIVES YOU SPECIFIC LEGAL RIGHTS, AND YOU MAY ALSO HAVE OTHER RIGHTS, WHICH VARY FROM STATE TO STATE OR PROVINCE TO PROVINCE.

Contact Insignia:

1-877-467-4289

www.insigniaproducts.com

INSIGNIA is a trademark of Best Buy and its affiliated companies.

*Distributed by Best Buy Purchasing, LLC

7601 Penn Ave South, Richfield, MN 55423 U.S.A.

©2021 Best Buy. All rights reserved.

INSIGNIA™

www.insigniaproducts.com
1-877-467-4289 (U.S. and Canada)

INSIGNIA is a trademark of Best Buy and its affiliated companies.
Distributed by Best Buy Purchasing, LLC
7601 Penn Ave South, Richfield, MN 55423 U.S.A.
©2021 Best Buy. All rights reserved.

V3 ENGLISH
21-0666